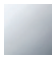






33 500 811



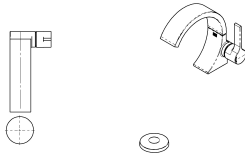
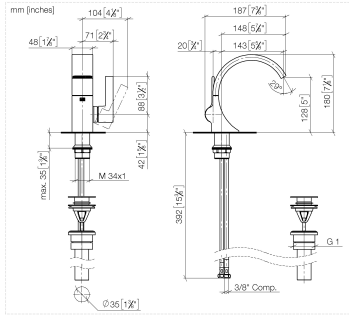
- 143mm projection
- 1 1/4" pop-up waste
- fixed spout
- rectangular, air-enriched flow
- height of mixer 180 mm
- height up to aerator 128 mm
- hole diameter 35 mm
- max. flow 4.5 l/min
- 2 x pressure hose with 3/8" cap nut
- lead-free
- This product can help a building meet the requirements of Green Building Rating Systems, e.g. LEED®, BREEAM®, DGNB

| | | |
|---|-----------------------------------|--------------------|
|  | Chrome | 33 500 811-00 0010 |
|  | Brushed Platinum | 33 500 811-06 0010 |
|  | Dark Chrome | 33 500 811-19 0010 |
|  | Brushed Durabronze (23kt Gold) | 33 500 811-28 0010 |
|  | Brushed Dark Platinum | 33 500 811-99 0010 |

Only suitable for basins with an overflow.

Distance from centre of tap hole to wall min. 55 mm
or to front edge of basin min. 40 mm.

33 500 811



Flow rate chart



Codes & Standards

California Energy
Commission
(CEC)

Water Sense





CYO Single-lever basin mixer with pop-up waste - Chrome

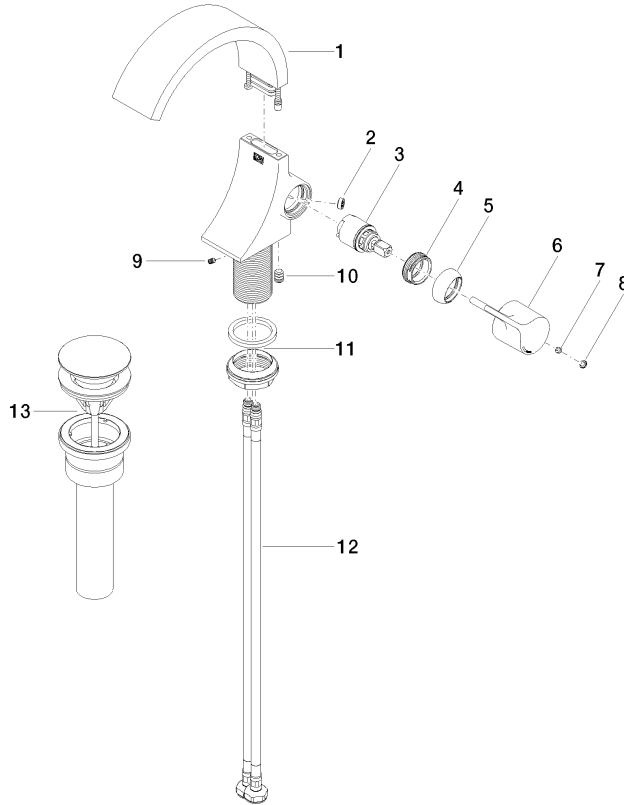
CYO

33 500 811

Certificates

IAPMO_8834 (2). IAPMO_4976 (1). IAPMO_N-4976 (1). IAPMO_6397 (1).

33 500 811



Spare parts list

| No. | Item Number | Name | Quantity used | Delivery time |
|-----|--------------------|-----------------------------|---------------|---------------|
| 1 | 90 11 70 012 01-00 | spout | 1 | 10 |
| 2 | 09 23 01 172 90 | flow reducer | 1 | 2 |
| 3 | 90 15 05 044 00 90 | cartridge | 1 | 2 |
| 4 | 09 24 04 266 90 | nut | 1 | 2 |
| 5 | 09 28 30 021-00 | cover | 1 | 10 |
| 6 | 09 20 80 024-00 | handle | 1 | 10 |
| 7 | 90 31 11 030 00 90 | pin | 1 | 2 |
| 8 | 90 31 20 087 00-00 | plug | 1 | 10 |
| 9 | 09 31 11 008 90 | pin | 1 | 2 |
| 10 | 90 31 20 129 00 90 | plug | 1 | 2 |
| 11 | 04 23 10 044 07 90 | fixing set | 1 | 2 |
| 12 | 04 30 04 102 00 90 | High pressure hose 3/8" - | 2 | 2 |
| 13 | 10 125 970-00 0010 | Basin Waste 1 1/4" - Chrome | 1 | 2 |